

Technical specifications

Chassis

- Frame profile 90 x 50 mm
- Outside length 785 mm
- Outside width incl. lever 720 mm
- Steel tube frame, powder-coated elegant anthracite matte finish
- Brake operable from both sides and acting on two castors each; two castors featuring independent directional steering function
- Double rimmed castors \varnothing 125 mm
- Detachable foot keypad (total, head up/down)
- Emergency stop button
- Visible screws are made of stainless steel
- With equipotential bonding connection

Upper Frame

- 4-part support frame (head, back, seat, leg part)
 - Removeable upholstery
 - Width of upholstery 610 mm
 - Width incl. armrests 850 mm
 - Length 1.760 - 1.900 mm
(incl. legrest extension) + 190 mm
- | | Angle | Dimensions (L x W) |
|---------------------|-------------|--|
| • Head part | -29° / +35° | 255 x 245 mm |
| • Back part | 0° / +83° | 610 x 610 mm |
| • Seat part | -5° / +35° | 450 x 610 mm |
| • Leg part | 0° / -77° | 510 x 610 mm |
| • Height adjustment | | 625 - 925 mm
(comfort) 655 - 955 mm |
| • Armrests | 0° / +180° | (2x) 470 x 75 mm |
- Entry height (standard) 580 mm / 500 mm (incl. legrest extension)
 - Entry height (comfort) 610 mm / 530 mm (incl. legrest extension)
 - Legroom 520 - 820 mm
 - Trendelenburg -12° / Reverse Trendelenburg +5°

Electrical Control

- All components according to IP54
- Hand control with 8 individually programmable memory positions, auto run function, reset button
- Foot keypad with 4 foot switches and reactivation button

Electric Drives

- Head, back, seat, leg part, total up/down
- Trendelenburg/Reverse Trendelenburg

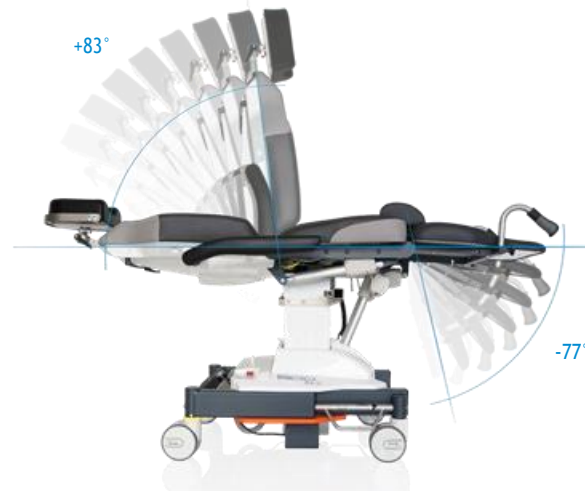
Lifting column

- Max. lifting 300 mm
- Max. load 250 kg
- Motors IP54 with HAL sensors, to be memorized

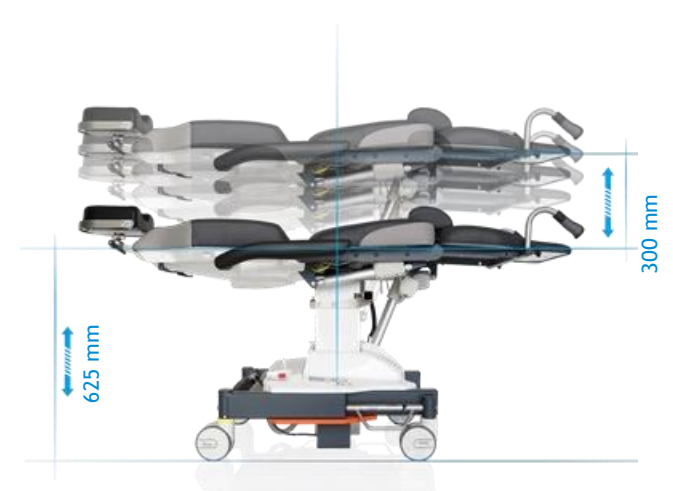
Trendelenburg/Reverse Trendelenburg/CPR



Back part/leg part



Height adjustment



Powerful accumulators

- Battery box with 2 batteries (lead-gel), pollution free, maintenance-free, cadmium-free 2x 12 V, 7,2 Ah
- As back-up-system exchangeable without tools
- Acoustic low voltage signal for discharge protection
- Universal battery charger Input: 100 - 240 V Output: 30 V

Operating time per battery charge

- Measured by operating circle (Prepare-Operate-Recover) 100 OPs
- Quantity of operating circles depends on individual operation

Further technical details

- Chair has detachable, swiveling armrests made completely with PUR foam
- Detachable seat for service friendly access to electric components

Max. load 250 kg

Weight 135 kg

Subject to technical modifications.

Mains-free operation

Easy recharging of the equipment thanks to charging adapter and integrated battery charger circuit board.



Simple battery replacement

Additional safety due to replaceable battery box (back-up system Item No.: 3047 0000). Discharged battery box can be replaced quickly.



Equipment protection

Cover drape *stayClean*

2,000 x 730 mm, box á 160 Pieces
4 x 40 Pieces Item No.: 3034 0014

Page 64



Color card

Standard color
500 XL

anthracite Item No.: 3037 0052

500 XLE *comfort*

anthracite (main color)
+ chrome (accent color)
Item No.: 3037 0092

“Tundra skai”
Page 102

“Pandoria Plus”
Page 103

